

Cam-Lok® “J” Power Series



All Cam-Lok part numbers available in convenient, single-use, color-coded packaging.

FEMALE TERMINAL CONNECTORS			
COLOR	CABLE SIZE	ANGLE STYLE COMPLETE PART NO.	OFFSET STYLE COMPLETE PART NO.
BLACK	#2-4/0	E1016-575	E1016-625
RED		E1016-577	E1016-627
GREEN		E1016-579	E1016-629
WHITE		E1016-580	E1016-630
BLUE		E1016-587	E1016-638
BROWN		E1016-590	E1016-639
ORANGE		E1016-578	E1016-628
YELLOW		E1016-576	E1016-626

Hole Size 1/2"

FEMALE SAFETY TERMINALS			
COLOR	CABLE SIZE	ROUND COMPLETE PART NO.	RECTANGULAR COMPLETE PART NO.
BLACK	#2-4/0	E1016-813	E1016-801
RED		E1016-815	E1016-803
GREEN		E1016-817	E1016-805
WHITE		E1016-818	E1016-806
BLUE		E1016-819	E1016-807
BROWN		E1016-820	E1016-808
ORANGE		E1016-816	E1016-804
YELLOW		E1016-814	E1016-802

Tap Hole 1/2"-13

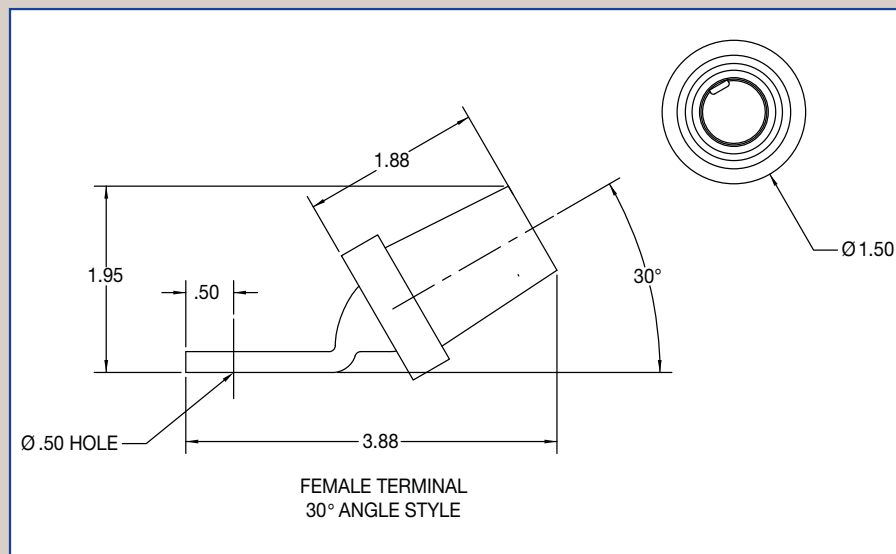


E1016-627



E1016-817

E1016 Series



CAM-LOK “J” POWER SERIES RECEPTACLES AND PLUGS PROVIDE THE MEANS TO QUICKLY CONNECT AND DISCONNECT POWER SYSTEMS SAFELY AT CONCERTS AND CARNIVALS AS WELL AS CONNECTING GENERATORS, STANDBY POWER, AND LOAD TESTING IN HOSPITALS, UTILITIES AND HEAVY INDUSTRIAL ENVIRONMENTS.

RATINGS: 600 VOLTS UP TO 400 AMPERES CONTINUOUS

STANDARD MATERIALS
CABLE SIZE: #2 - 4/0
BODY: SYNTHETIC RUBBER/TPE
CONTACT: BRASS

AGENCY APPROVALS
UL LISTED E67181
CSA CERTIFIED LR13963

ENVIRONMENTAL RATING: NEMA 3R